

HUFCOR[®]

WORLD LEADER IN FLEXIBLE SPACE MANAGEMENT

GLASSWALL



MOVABLE GLASS PARTITIONS

ACOUSTIC | FRAMELESS | TIMBER-FRAMED

HUFCOR[®] innovation

Our movable glass partitions

allow natural light to flood an interior space while providing space flexibility. And, with your choice of clear tempered, full satiny translucent, etched or custom glass, the glasswalls can become the signature design element of your rooms. Satisfied customers are using glass partitions to close off store fronts, bank lobbies, library training centers and to create meeting rooms. Frameless, timber-framed and acoustic glasswalls are suspended from an overhead aluminum track that eliminates floor tracks which can collect debris and pose a safety risk. Designing glass panels into your facility allows natural sunlight into your space, which could qualify for LEED points for Indoor Environmental Quality (IEQ) Credit 8.2: Daylight and Views - I point.



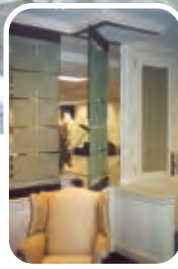
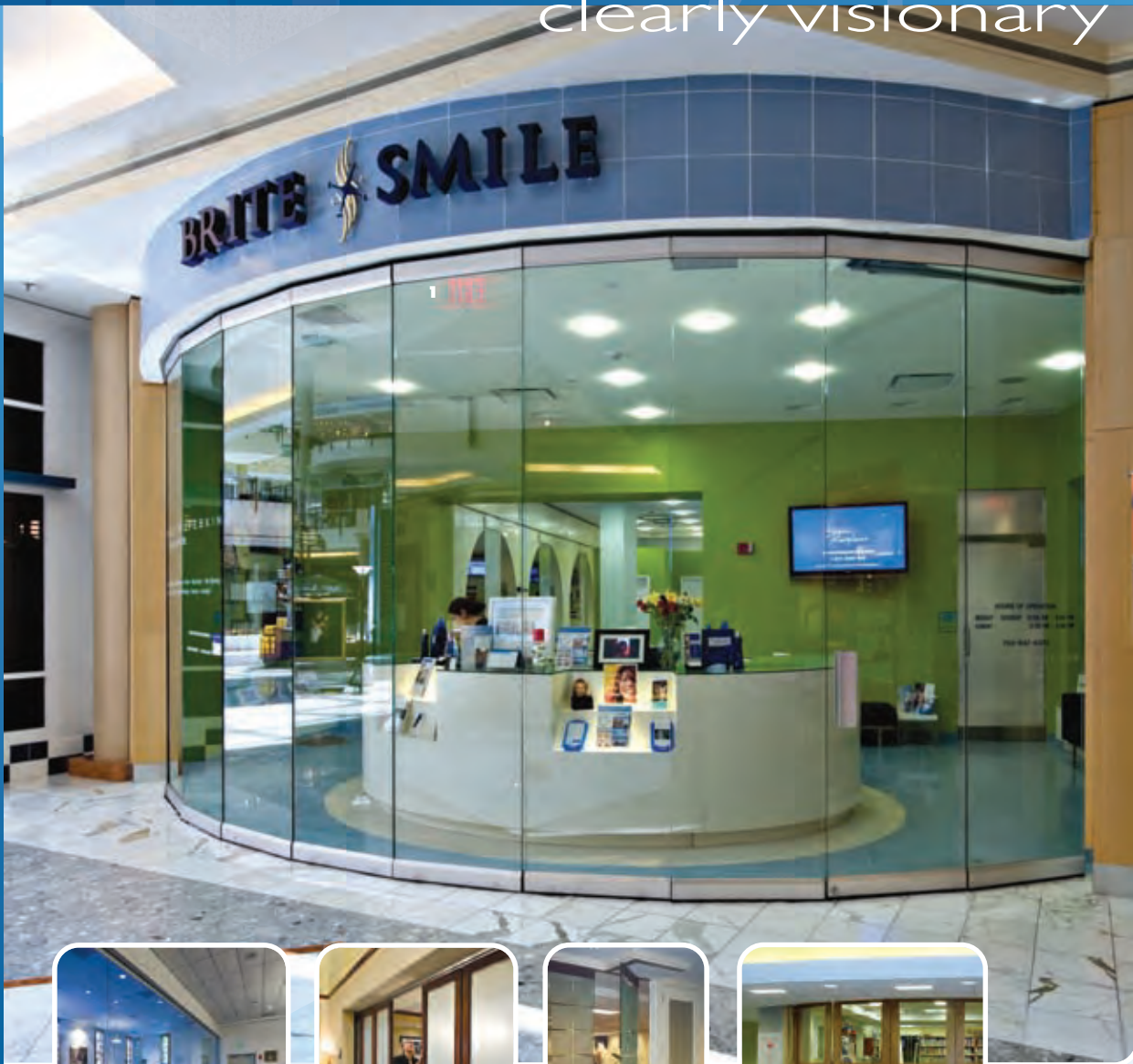
Glasswall uses are limited only by your **clearly
imagination.**

visionary

HUFCOR® GLASSWALL

movable glass partition
clearly visionary

GLASSWALL



GLASSWALL PRODUCT SELECTOR

MODEL	CONFIG.	SERIES #	TOP SEALS		FLOOR SEALS		VERT. TRIM	MAX. ¹ HEIGHTS	MAX. OPENING WIDTH	STC ² ACOUS. RATINGS
			FIXED	RETRACT	RETRACT	FIXED				
Frameless	Paired	GL2	std	n/a	n/a	std	opt	10'5" [3.2m]	Unlimited	n/a
Frameless	Single	GL1	std	n/a	n/a	std	opt	10'5" [3.2m]	Unlimited	n/a
Timber-Framed	Paired	GT2	std	n/a	n/a	std	n/a	10'2" [3.1m]	Unlimited	n/a
Timber-Framed	Single	GT1	std	n/a	n/a	std	n/a	10'2" [3.1m]	Unlimited	n/a
Acoustically Rated	Paired	GA2	std	n/a	opt	std	std	12'2" [3.7m]	Unlimited	44
Acoustically Rated	Single	GA1	std	n/a	opt	std	std	12'2" [3.7m]	Unlimited	44

¹ Heights shown are standard. Contact your local Hufcor distributor for custom sizes.

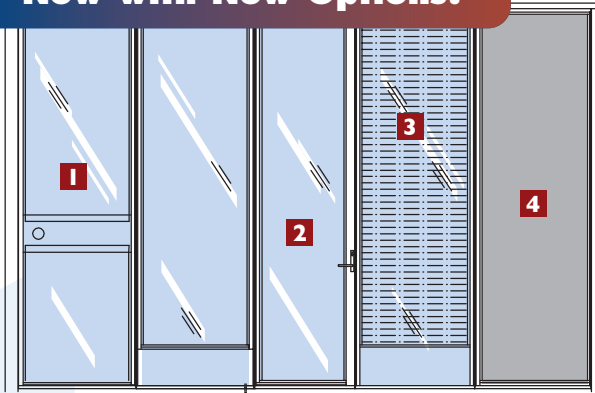
² n/a = not available

Note: Metric dimensions are in []



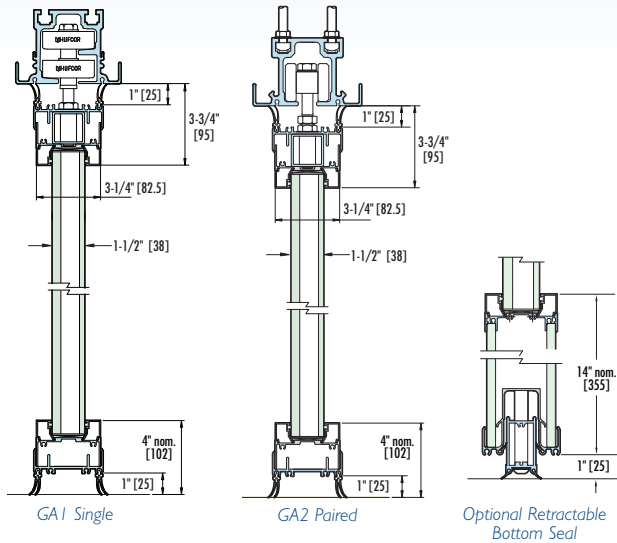
Acoustic GLASSWALL partitions maintain the aesthetic appeal of glass while providing acoustic separation. Panels consist of glass surrounded with a nominal 3-1/4" [8.25] thick durable aluminum frame. Each panel has top and bottom sweep seals. An optional retractable bottom seal with a 1" [25] floor clearance exerts downward force and helps to seal out sound and stabilize the panel in the opening. The frame is of clear anodized aluminum. Black or bronze anodizing, Lamb's Wool powder coating, or custom colors are available for an upcharge. Optional integrated blinds, expanding closure, and pass doors (single panel model only) add versatility.

Now with New Options!

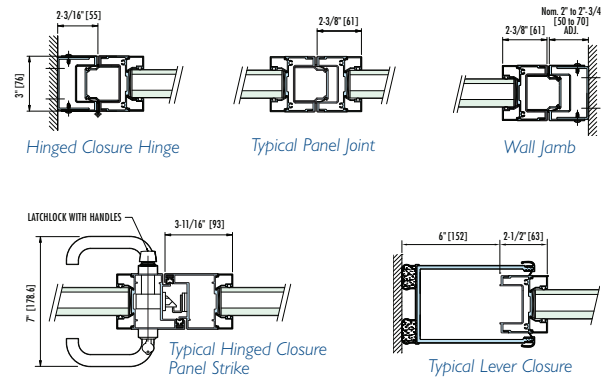


- 1. Lever Closure Panel** – An expanding jamb seals the panels in the opening. When not in use, nothing remains in the opening.
- 2. Pass Door** – Enables access between rooms.
- 3. Blinds** – Inset in the glass, manual tilt operation.
- 4. Use in combination with Operable Panels** – If you don't need the entire wall to be of glass, acoustical glass panels may be combined with our solid face standard operable panels.

VERTICAL SECTIONS



HORIZONTAL SECTIONS





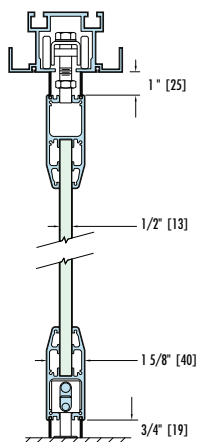
Frameless OPERABLE GLASSWALL

consists of glass panels mechanically fastened to horizontal top and bottom rails. The glass has polished edges and no vertical trim – although vertical trim is an available option. Panels may be ordered as single or paired panels. Single (or omni-directional) panels can be used in alternate locations or stacked in a remote location. Paired panels are a good choice when the partition goes from wall-to-wall. Pivot panels allow access between rooms. Optional in-line pass doors are available on single (omni) models. The standard horizontal rails are of clear anodized aluminum but may be custom finished. Panels are shipped fully assembled.

NOTE: There will be a gap of 1/4"-1/2" between the glass panels when they are in place to prevent glass-to-glass contact. The gap varies due to glass industry tolerances.

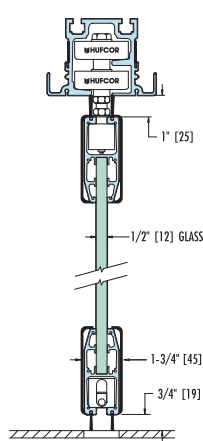
VERTICAL SECTIONS

GL2 Paired Panel



Shown with Standard Horizontal Rail

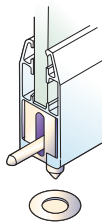
GL1 Individual Panel



Shown with Stainless Steel Clad Rail

FRAMELESS FEATURES

In-Line Pass Door



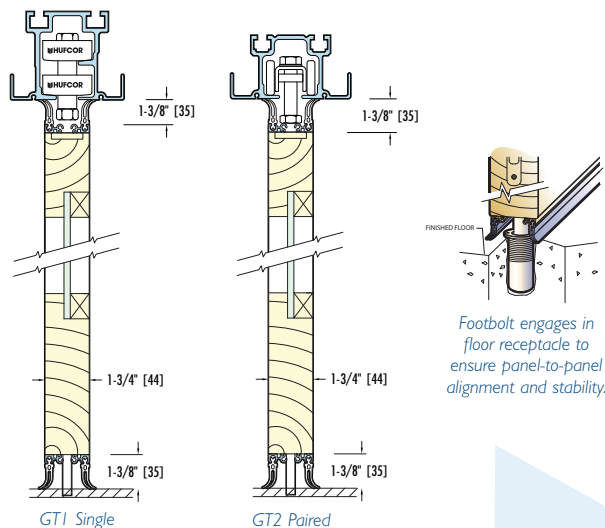
All panels are supplied with concealed foot bolts and interlocking mechanisms. Footbolt engages in floor receptacle to ensure panel-to-panel alignment and stability.



Timber-framed GLASSWALL

consists of glass surrounded with a wood frame. Each wood frame is composed of triple laminated solid wood top and bottom rails and stiles that are constructed from custom made veneers, solid wood edges and an engineered wood core, to ensure a sturdy, durable construction. Choose wood frames made of oak, maple, cherry, or Douglas fir. Frames may also be customized. The wood is stained and finished with a matte coat of polyurethane. The stain color is selected from Hufcor's standard color selector. Panels may be ordered as single or paired panels. Single (or omni-directional) panels may be used in alternate locations or stacked in a remote location. Paired panels are a good choice when the partition goes from wall-to-wall. Pivot panels allow access between rooms. Optional in-line pass doors are available on single (omni) models. Panels are shipped fully assembled.

VERTICAL SECTIONS

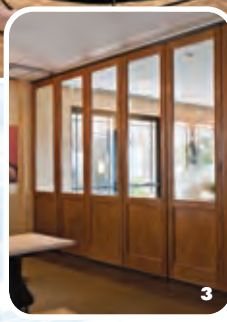


Footbolt engages in floor receptacle to ensure panel-to-panel alignment and stability.

Note: Metric dimensions are in []

Hufcor Glasswall

clearly visionary



- 1** Frameless movable glass panels create a private meeting room while allowing the outside light to shine through.
- 2** Glass panels secure the entrance to this showroom after hours, yet allow passers-by to view the displays.
- 3** A timber-framed glasswall was customized with a wainscot for this California restaurant.
- 4** Fun graphics were added to the glass panels in this children's section of a Wisconsin library.
- 5** This hotel's top floor bar offers a breathtaking view of the Chicago skyline. Frameless glasswall panels with custom acrylic faces divide the space for private functions.

HUFCOR®

World Leader in Flexible Space Management™

WORLDWIDE HEADQUARTERS
 PO Box 591 / 2101 Kennedy Road, Janesville, WI 53547
 Toll-Free: 800-542-2371, ext. 214
 Telephone: 608-756-1241
 Fax: 608-758-8253
 E-mail: info@hufcor.com
 Web: www.hufcor.com

WWW.HUFCOR.COM Visit Hufcor's website for our latest product innovations. The site also includes CAD details and specifications that can be downloaded and an extensive photo album.

WORLDWIDE DISTRIBUTION Hufcor products are available from local distributors throughout the world. Visit our website for the name of your nearest representative.



IT'S ALL IN THE BOOK

More details on all Hufcor products are available in the Architectural Product Manual. Call your local rep today to receive a complimentary copy.

The quality systems of Hufcor's U.S. manufacturing facilities are registered to the ISO 9001 standards. Hufcor has a program of continuous product improvement. As a result, some products may be modified from those represented in this catalog.

Hufcor Partition U.S. Patents:

2,861,660	3,056,193	3,223,147	3,295,257
3,295,588	3,450,185	3,638,376	3,755,968
3,783,930	3,879,799	3,042,960	4,014,137
5,181,296	5,230,123	5,406,676	5,481,834
5,564,759	6,112,466	6,167,937	

F-2012GL MTH PDF Printed in U.S.A.

see us at
Sweets.com



*USGBC and related logo is a trademark owned by the U.S. Green Building Council and is used by permission.



Hufcor offers continuing education programs for AIA members. Contact your Hufcor representative for details.